



**AUTOMATIC  
FIBER DOSING  
SYSTEM**

Automatic fiber dosing system is a practical solution with its compact design and easy adaptability to all asphalt plants.

### MAIN FEATURES

---

- ◆ **A very practical** dosing system which must be used in Stone Mastic Asphalt (SMA) production for high quality roads.
- ◆ **Compact design** allows easy adaptation and usage for all asphalt plants.
- ◆ **Its precise** weighing system embedded in a durable chassis, therefore unaffected by plant vibrations.



AUTOMATIC FIBER  
DOSING SYSTEM

ITAL MACHINERY

MACCHINA ITALIANA

## **TECHNICAL SPECIFICATIONS**

- ◆ **Automatic fiber** dosing system for BigBag loading.
- ◆ **Pneumatically** actuated cover door for BigBag loading.
- ◆ **Compact package** design which can fit any brand & any capacity asphalt plant.
- ◆ **Independent** chassis provides perfect dosing without affecting from any plant vibration effects.
- ◆ **Dimensions** ..... :  
3600mm x 1970 mm x 2600mm

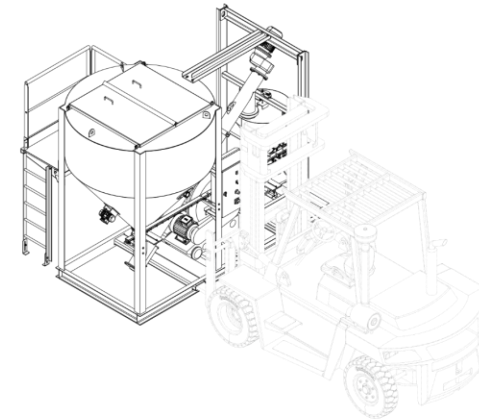
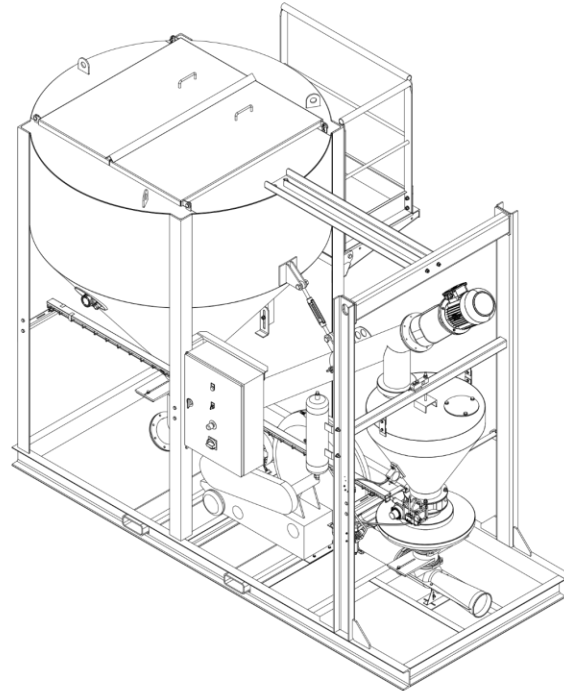
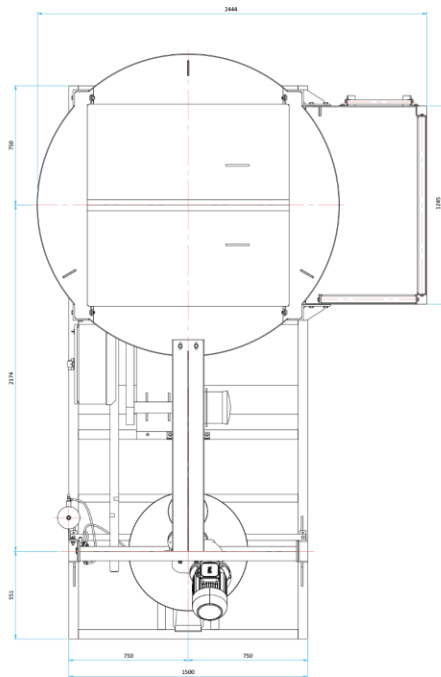
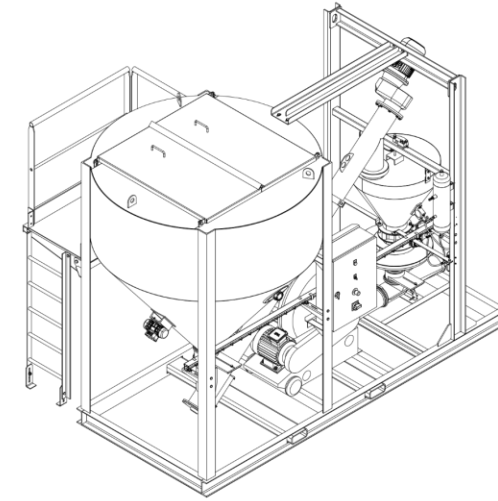
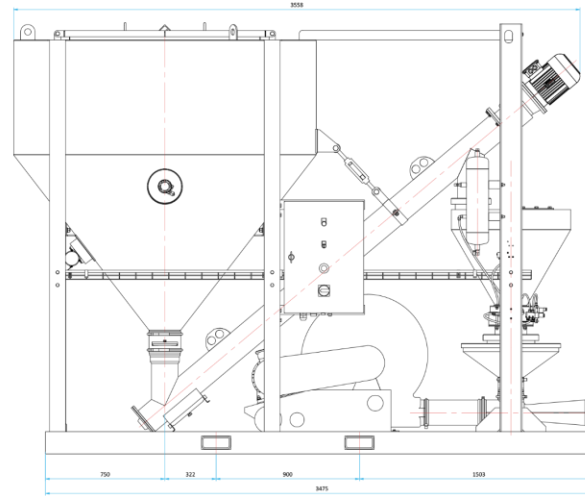
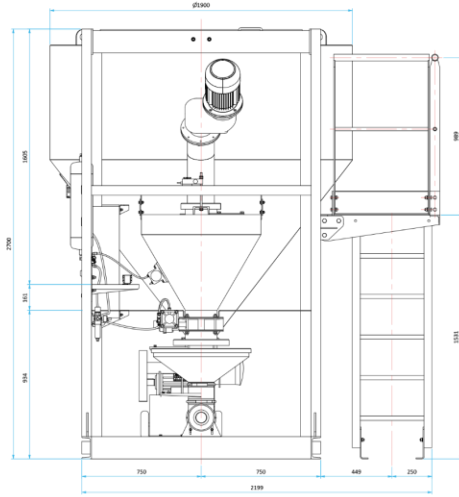
**AUTOMATIC FIBER  
DOSING SYSTEM**

**ITAL MACHINERY**

MACCHINA ITALIANA



# PRODUCT OVERVIEW – FLOW CHART



## CONTACT US

---



[italmachinery.com.ua](http://italmachinery.com.ua)



[sales@italmachinery.com.ua](mailto:sales@italmachinery.com.ua)



+38 (067) 271 61 61

+38 (067) 371 61 61

+38 (067) 801 77 00

+38 (096) 449 32 08



[facebook.com/italmachinery](https://facebook.com/italmachinery)



[@italmachinery](https://instagram.com/italmachinery)



[Ital Machinery](https://www.youtube.com/italmachinery)

**ITAL MACHINERY**  
MACCHINA ITALIANA

